

Lengths do not include end panels

- **DP45A-CXM.5741A** 35-1/8"L x 40"D x 33-5/8"H
- **DP45A-CXM.5741A-A** 35-1/8"L x 40"D x 33-5/8"H

Included

- One year parts & labor warranty

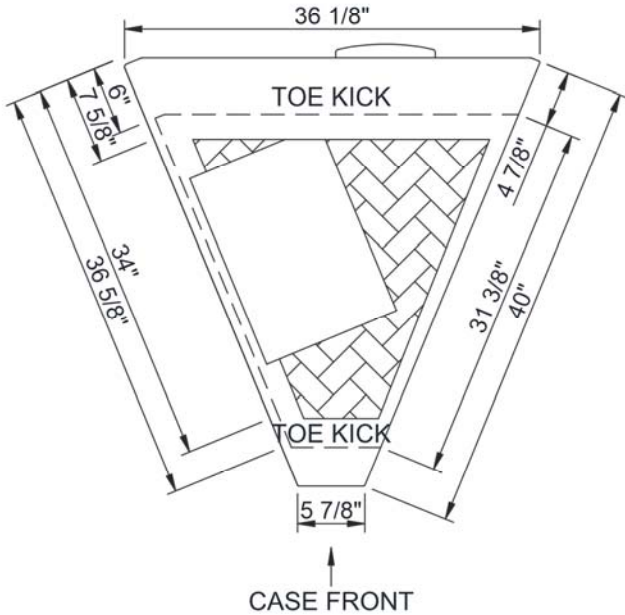


DP45A-CXM.5741A-A

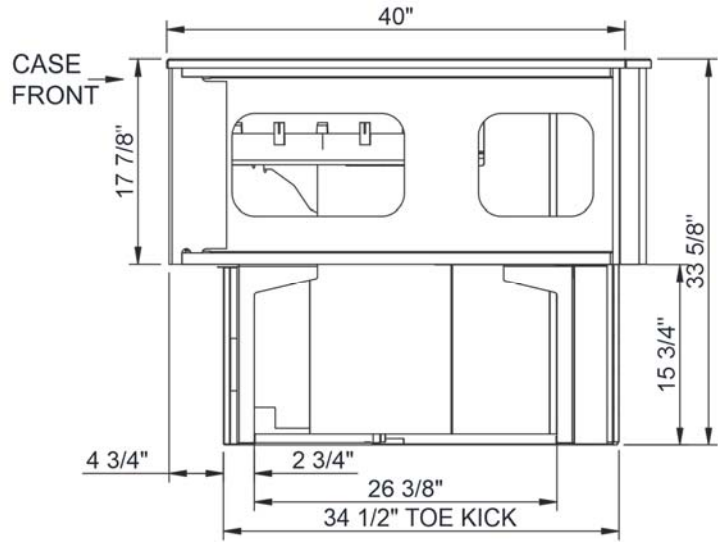
Specify	Standard Features	Additional Options
EXTERIOR COLOR	• Cherry veneer	• Carbon Gray Cherry Veneer
INTERIOR COLOR	• Powder coated Silversan Black	
BASE	• Trash bin	
BASE SUPPORT	• Rail system for shims	
DOORS	• Left hand hinge (customer facing)	• Right hand hinge (customer facing)
FRONT	• Napkin dispenser	
LOWER FRONT PANEL	• Powder coated Silversan Black	
TOP	• Bavaria Quartz	• Everest Quartz

Intended Environment: Type I - Designed to operate in ambient conditions of 75°F with 55% relative humidity unless noted otherwise in system information below.		
Zone	Intended Product To Be Displayed	Warmest Avg Prod Temp ° F
1	Packaged non-refrigerated products	Ambient

PLAN VIEW



SIDE VIEW



NOTE: ALL DIMENSIONS APPROXIMATE

- ELECTRICAL JUNCTION BOX (SUPPLIED WITH 6" LEADS OR POWER CORD).
- LOCATION OF DRAIN TUBE FOR REMOTE REF. ONLY (SUPPLIED WITH 3/4" OR 1 1/2" PVC TUBE).

- REFRIGERATION LINE CONNECTION.
- REMOTE FLOOR SINK & UTILITIES ACCESS AREA.

- SELF-CONTAINED CASE SERVICE ACCESS AREA.
- DRY CASE SERVICE ACCESS AREA.

Model Technical Specifications

Model	L"	L1"	L2"	System Circuit Volts			Phs	Freq	Amps ***	Watts	Wires	NEMA Plug	SST	Conv. Rack BTUH	Para. Rack BTUH	Est Wt
DP45A-CXM.5741A	35.13	N/A	.00	None (N/A)	N/A	N/A	1&3	N/A	0.00	0			N/A	N/A	N/A	N/A
DP45A-CXM.5741A-A	35.13	N/A	.00	None (N/A)	N/A	N/A	1&3	N/A	0.00	0			N/A	N/A	N/A	N/A

*** Does not include electric defrost on freezer models.

Regulatory Approvals:

None



Important Notes:

1) Units must be shimmed during installation to ensure the unit is level and plumb.

⚠ WARNING: This product can expose you to chemicals, including Urethane (Ethyl Carbamate), which are known to the State of California to cause cancer and birth defects or other reproductive harm. For more information go to www.P65Warnings.ca.gov.