

Prepared Foods - Corner Counter With Shelving & End Panel - Self-Service - 27° - SS Top

Models

DP27A-CXM.7862A



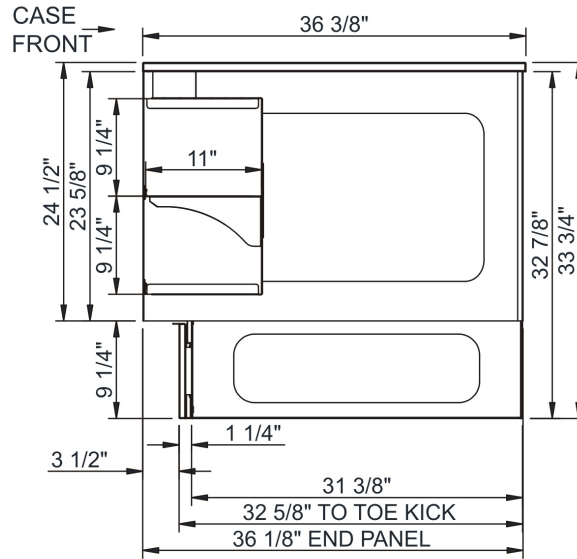
Features	Standard	Options
EXTERIOR COLOR	<input type="checkbox"/> Laminated (Xanadu)	
BASE SUPPORT	<input type="checkbox"/> Rail system for shims	
BUMPER END	<input type="checkbox"/> 1" bumper (black) (3 rows)	
FRONT	<input type="checkbox"/> Solid shelves, non-lighted	
TOE KICK	<input type="checkbox"/> Publix matte black	
TOP	<input type="checkbox"/> Stainless steel	

Applications

- Non-Refrigerated interaction display.

Prepared Foods Corner Counter With Shelving & End Panel - Self-Service - 27° - SS Top

Model	L x D x H
DP27A-CXM.7862A	21"L x 36-3/8"D x 33-3/4"H



IMPORTANT NOTES:

- Units must be shimmed during installation to ensure the unit is level and plumb.

WARNING

This product can expose you to chemicals including Urethane (Ethyl Carbamate), which are known to the State of California to cause cancer and birth defects or other reproductive harm. For more information go to www.P65Warnings.ca.gov.

INTENDED ENVIRONMENT

Designed to operate in ambient conditions of 75°F with 55% relative humidity.

WARMEST AVG PRODUCT TEMP

Zone	Temp (°F)
1	Ambient

INTENDED USE OF DISPLAY AREAS

Zone	Intended Use
1	Packaged non-refrigerated products

For more information on any of our products or services please visit us on the web at:

www.structuralconcepts.com

INFORMATION IS SUBJECT TO CHANGE WITHOUT NOTICE. Visit www.structuralconcepts.com for the most current specs.