

Impulse

Non-Refrigerated Shelving Case - Standard Length

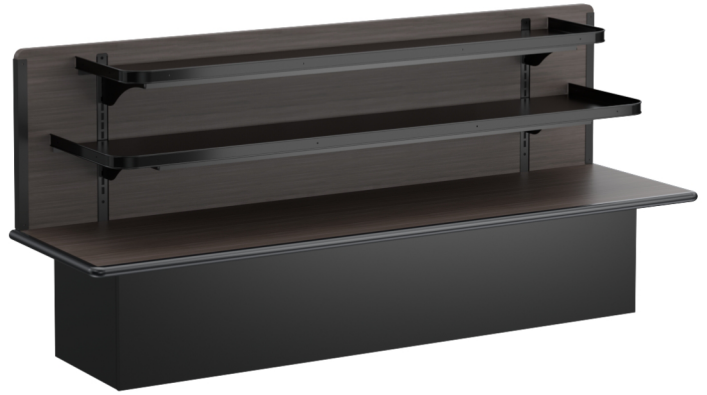
Structural Concepts®
DELIVERING FRESH. ALWAYS.™

• CDR7256

74"L x 20"D x 34-1/8"H

Included

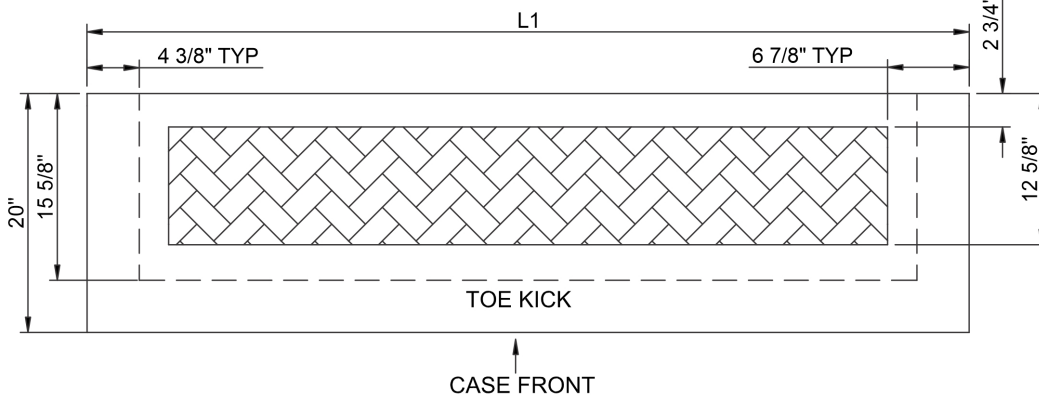
- Adjustable shelving
- One year parts & labor warranty



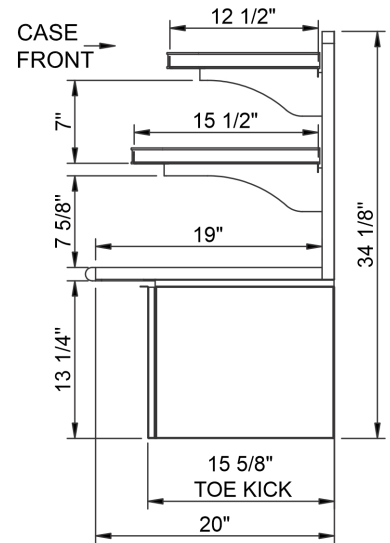
Specify	Standard Features	Additional Options
EXTERIOR COLOR	• Laminated (Xanadu)	• Laminated (Skyline Walnut)
BASE SUPPORT	• Rail system for shims	
BUMPER	• 1" Bumper on all sides (black)	• 1" Bumper on all sides (Gray)
LOWER FRONT PANEL	• Black	
UPPER REAR	• None (solid back panel)	
PRICE TAG MOLDING	• Price tag molding (black)	
SHELVING	• Adjustable metal shelves, non-lighted	

Intended Environment: Type I - Designed to operate in ambient conditions of 75°F with 55% relative humidity unless noted otherwise in system information below.		
Zone	Intended Product To Be Displayed	Warmest Avg Prod Temp ° F
1	Packaged non-refrigerated products	Ambient

PLAN VIEW



SIDE VIEW



NOTE: ALL DIMENSIONS APPROXIMATE

- ELECTRICAL JUNCTION BOX (SUPPLIED WITH 6" LEADS OR POWER CORD).
- LOCATION OF DRAIN TUBE FOR REMOTE REF. ONLY (SUPPLIED WITH 3/4" OR 1 1/2" PVC TUBE).

- REFRIGERATION LINE CONNECTION.
- REMOTE FLOOR SINK & UTILITIES ACCESS AREA.

- SELF-CONTAINED CASE SERVICE ACCESS AREA.
- DRY CASE SERVICE ACCESS AREA.

Model Technical Specifications																	
Model	L"	L1"	L2"	System Circuit Volts			Phs	Freq	Amps ***	Watts	Wires	NEMA Plug	SST	Conv. Rack RTUH	Para. Rack RTUH	Est Wt	
CDR7256	N/A	74.00	.00	None (N/A)			N/A	N/A	1&3	N/A	0.00	0		N/A	N/A	N/A	N/A

*** Does not include electric defrost on freezer models.

Regulatory Approvals:	
None	



Important Notes:

1) 36" Minimum door entry clearance required (Without shipping skid).

⚠ WARNING: This product can expose you to chemicals, including Urethane (Ethyl Carbamate), which are known to the State of California to cause cancer and birth defects or other reproductive harm. For more information go to www.P65Warnings.ca.gov.