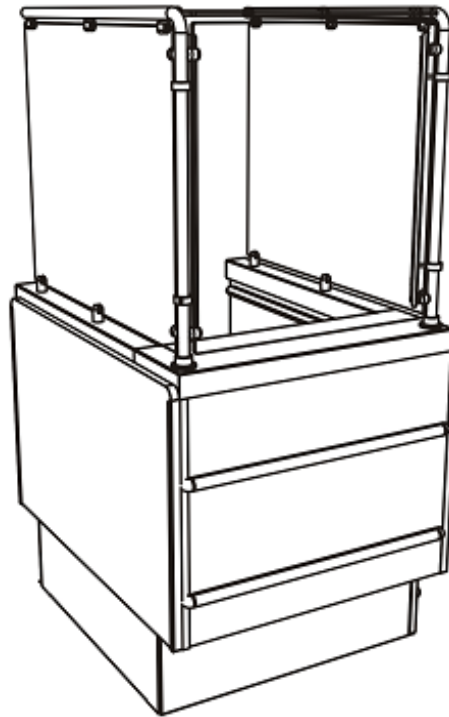


Salad/Sandwich Prep - Bread Display Module Bay

Must Purchase CDR7765 w/ This Bay

Models

BDR3065.5718A



Features	Standard	Options
EXTERIOR COLOR	<input type="checkbox"/> Laminated (Xanadu)	
INTERIOR COLOR	<input type="checkbox"/> Stainless steel	
UPPER FRONT PANEL COLOR	<input type="checkbox"/> Laminated (Xanadu)	
BASE SUPPORT	<input type="checkbox"/> Rail system for shims	
BUMPER END	<input type="checkbox"/> None	<input type="checkbox"/> 1" bumper (black) (3 rows)
BUMPER FRONT	<input type="checkbox"/> 1" bumper (black)	
END PANELS	<input type="checkbox"/> None	<input type="checkbox"/> Full
FRONT GLASS	<input type="checkbox"/> Flat vertical glass	
LOWER FRONT PANEL	<input type="checkbox"/> Publix matte black	
TOP	<input type="checkbox"/> Stainless steel	
UPPER FRONT PANEL STYLE	<input type="checkbox"/> Offset	
LIGHTS	<input type="checkbox"/> LED side lights	
ELECTRICAL CONNECT	<input type="checkbox"/> Leads	

Applications

- Upright non-refrigerated service merchandiser for sub, salad, or sandwich display.

Salad/Sandwich Prep - Bread Display Module Bay

Must Purchase CDR7765 w/ This Bay

DIMENSIONS / SHIPPING				
Model	L"	L1"	L2"	Est Wt (lbs)
BDR3065.5718A	30.000	31.780	0.000	N/A

ELECTRICAL															
Model	System Circuit Volts			Ph	Frq	Rated Load Amps	Min Cir Amps	Max OCP Amps	Watts	Wires	NEMA Plug	Amps Lights	Amps Fans	Amps Anti-Sweats	Amps Misc/Refrig/Heat
BDR3065.5718A	Ambient/Lights-Type I Env	Circuit #1	110-120	1	60	0.70	15	15	7	2+G	Leads Single	0.70	N/A	N/A	N/A

REFRIGERATION														
Model	Zone	Section	System	Envt	REMOTE REFRIGERATION					GLYCOL / R744 REFRIGERATION				
					SST (°F)	Conv. Rack BTUH	Para. Rack BTUH	Defrost Interval (Hrs)	Defrost Duration (Mins)	Total GPM	Pressure Drop (psi)	Concent (%)	Liquid Temp (°F)	
BDR3065.5718A	All	Ambient	Ambient/Lights-N/A-Type I Env	Type I	N/A	N/A	N/A	N/A	N/A	N/A	N/A	N/A	N/A	N/A

INTENDED ENVIRONMENT
Type I - Designed to operate in ambient conditions of 75°F with 55% relative humidity unless noted otherwise under Envt above.

IMPORTANT NOTES

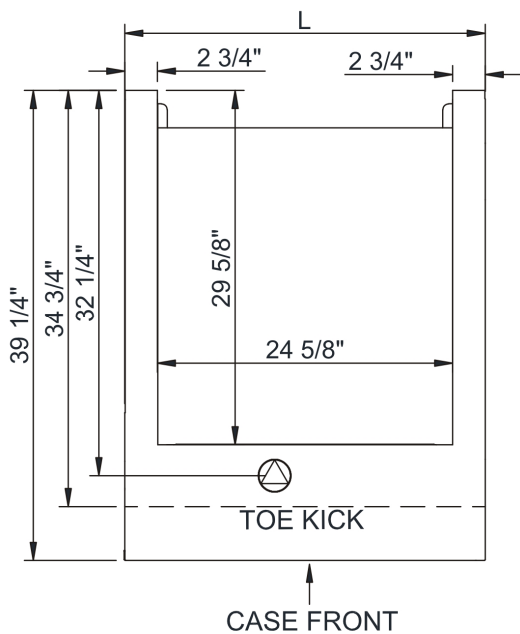
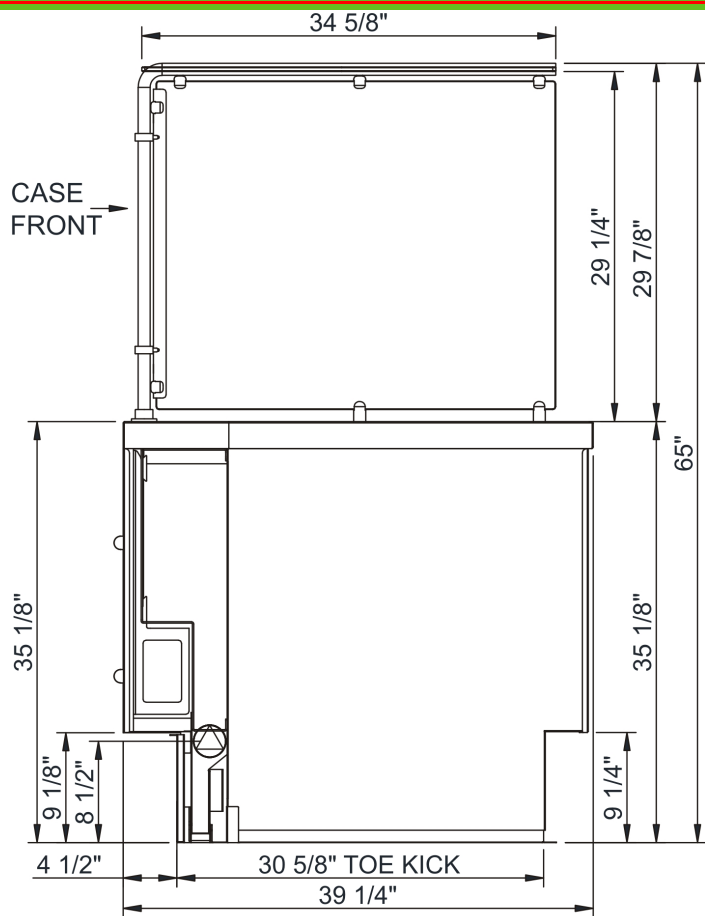
WARMEST AVERAGE PRODUCT TEMP & INTENDED USE OF ZONES		
Zone	Temp (°F)	Intended Use
1	Ambient	Unpackaged non-refrigerated products

REGULATORY	
All Models	ETL Listed to UL 65 ETL Sanitation to NSF 2



Salad/Sandwich Prep - Bread Display Module Bay

Must Purchase CDR7765 w/ This Bay



NOTE: ALL DIMENSIONS APPROXIMATE

- ⊗ ELECTRICAL JUNCTION BOX (SUPPLIED WITH 6" LEADS OR POWER CORD).
- ⊕ REFRIGERATION LINE CONNECTION.
- ⊗ SELF-CONTAINED CASE SERVICE ACCESS AREA.
- ⊙ LOCATION OF DRAIN TUBE FOR REMOTE REF. ONLY (SUPPLIED WITH 3/4" OR 1 1/2" PVC TUBE).
- ⊞ REMOTE FLOOR SINK & UTILITIES ACCESS AREA.
- ⊞ DRY CASE SERVICE ACCESS AREA.