

# Wine - Self-Service Refrigerated Wine Case - Wood

## Models

B428WN



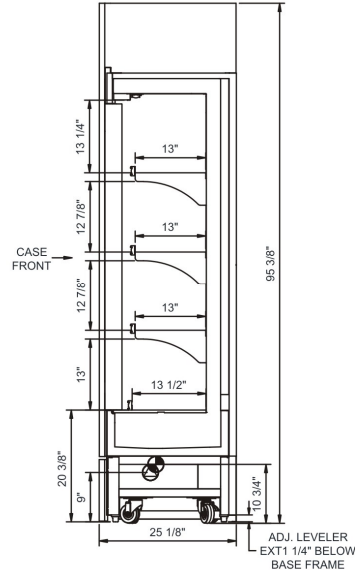
Features	Standard	Options
<b>EXTERIOR COLOR</b>	<input type="checkbox"/> American Walnut Oak	<input type="checkbox"/> Varathane Carbon Grey Oak
<b>INTERIOR COLOR</b>	<input type="checkbox"/> Stainless steel	
<b>BASE SUPPORT</b>	<input type="checkbox"/> Casters w/ levelers	
<b>END PANELS</b>	<input type="checkbox"/> Full	<input type="checkbox"/> None
<b>REAR</b>	<input type="checkbox"/> Solid back panel	
<b>SHELVING</b>	<input type="checkbox"/> Stainless steel shelves, non-lighted	
<b>LIGHTS</b>	<input type="checkbox"/> LED side lights	
<b>ELECTRICAL CONNECT</b>	<input type="checkbox"/> 6' Straight blade power cord w/ right angled plug	
<b>REFRIGERATION</b>	<input type="checkbox"/> Breeze™ w/EnergyWise s/c refrigeration	

## Applications

- Refrigerated self-service case for bottled wine display

# Wine Self-Service Refrigerated Wine Case - Wood

Model	L x D x H (Lengths include end panels)
B428WN	46"L x 25-1/8"D x 95-3/8"H



## IMPORTANT NOTES:

- 1) Compressor air ventilation drawn from lower front, channeled up rear and discharged out upper front. Front panel cannot be blocked. Product temperature will be affected if air curtain is disrupted.



### WARNING:

This product can expose you to chemicals, including Urethane (Ethyl Carbamate), which are known to the state of California to cause cancer and birth defects or other reproductive harm. For more information go to [www.P65Warnings.ca.gov](http://www.P65Warnings.ca.gov).

## INTENDED ENVIRONMENT

Designed to operate in ambient conditions of 75°F with 55% relative humidity.

## WARMEST AVG PRODUCT TEMP

Zone	Temp (°F)
1	55

## INTENDED USE OF DISPLAY AREAS

Zone	Intended Use
1	Bottled or packaged perishable products

## Wine - Self-Service Refrigerated Wine Case - Wood

DIMENSIONS / SHIPPING				
Model	L"	L1"	L2"	Est Wt (lbs)
B428WN	N/A	46.000	4.000	N/A

ELECTRICAL																
Model	System Circuit Volts				Ph	Frq	Rated Load Amps	Min Cir Amps	Max OCP Amps	Watts	Wires	NEMA Plug	Amps Lights	Amps Fans	Amps Anti-Sweats	Amps Misc/Refrig/Heat
B428WN	Self-Contained	Circuit #1	110-120	1	60	11.15	15	15	1,249	N/A	5-15P or L5-15P	N/A	0.60	6.25	4.30	

REFRIGERATION															
Model	Zone	Section	System	Envt	REMOTE REFRIGERATION					GLYCOL / R744 REFRIGERATION					
					SST (°F)	Conv. Rack BTUH	Para. Rack BTUH	Defrost Interval (Hrs)	Defrost Duration (Mins)	Total GPM	Pressure Drop (psi)	Concent (%)	Liquid Temp (°F)		
B428WN	All	Main	Self-Contained-R513A	Type I	N/A	N/A	N/A	N/A	N/A	N/A	N/A	N/A	N/A	N/A	N/A

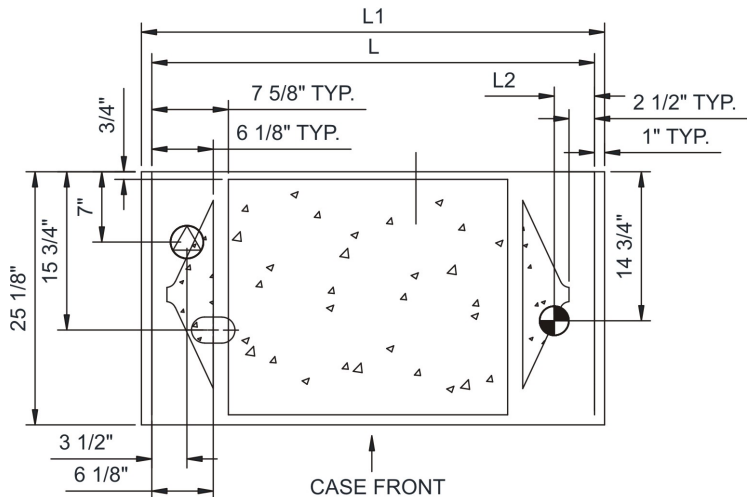
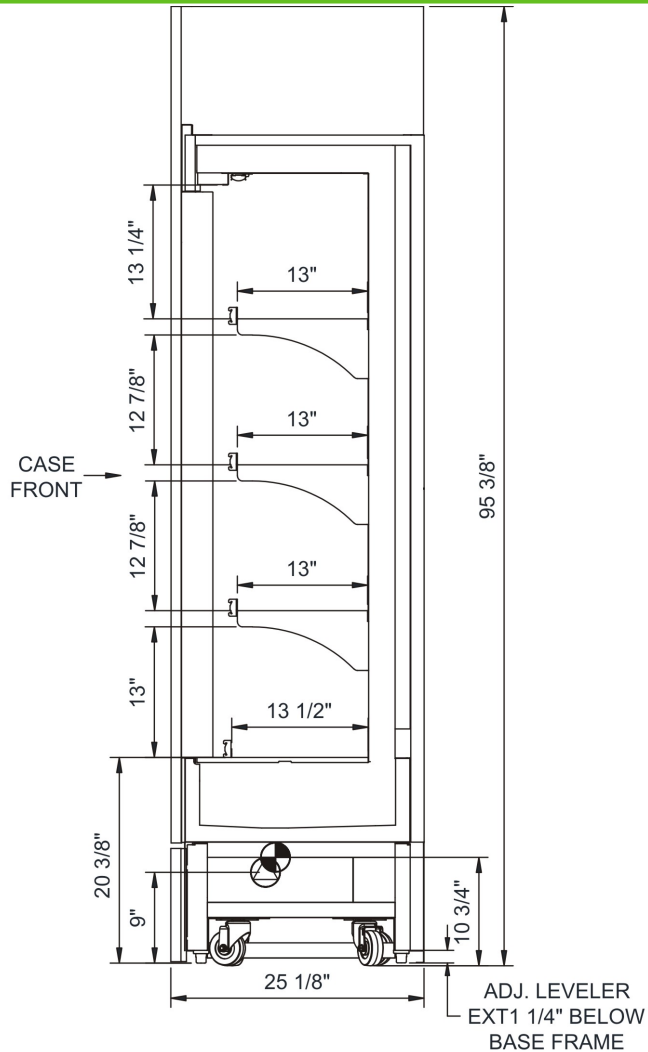
INTENDED ENVIRONMENT		
Type I - Designed to operate in ambient conditions of 75°F with 55% relative humidity unless noted otherwise under Envt above.		
WARMEST AVERAGE PRODUCT TEMP & INTENDED USE OF ZONES		
Zone	Temp (°F)	Intended Use
1	55	Bottled or packaged perishable products

IMPORTANT NOTES
1) Compressor air ventilation drawn from lower front, channeled up rear and discharged out upper front. Front panel cannot be blocked. Product temperature will be affected if air curtain is disrupted.



REGULATORY	
All Models	ETL Listed to UL 471 ETL Listed to CAN/CSA 22.2 No. 120



## Wine - Self-Service Refrigerated Wine Case - Wood



NOTE: ALL DIMENSIONS APPROXIMATE

-  ELECTRICAL JUNCTION BOX (SUPPLIED WITH 6" LEADS OR POWER CORD).
-  LOCATION OF DRAIN TUBE FOR REMOTE REF. ONLY (SUPPLIED WITH 3/4" OR 1 1/2" PVC TUBE).

-  REFRIGERATION LINE CONNECTION.
-  REMOTE FLOOR SINK & UTILITIES ACCESS AREA.

-  SELF-CONTAINED CASE SERVICE ACCESS AREA.
-  DRY CASE SERVICE ACCESS AREA.