

OEO - Side By Side Combo Refrigerated/Heated Self-Service Wall Case w/ Rear Doors

Models

B3924RHRD.7713



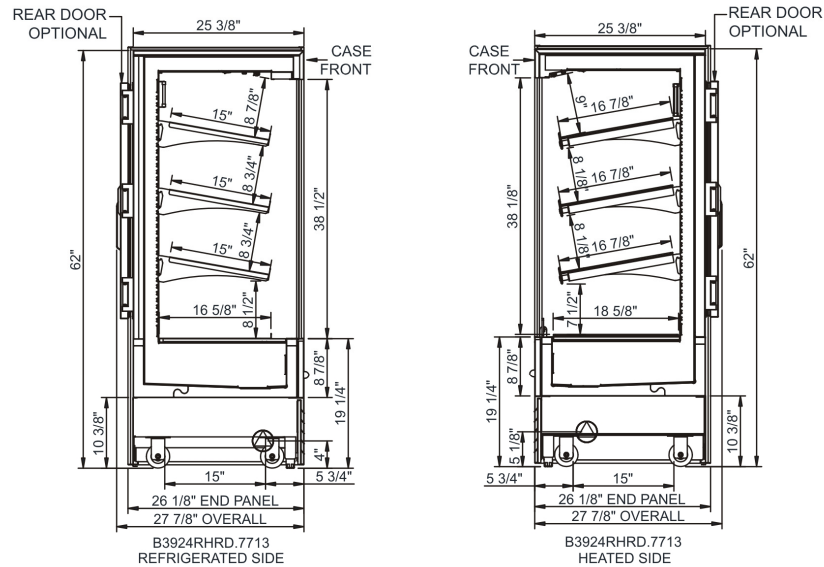
Features	Standard	Options
EXTERIOR COLOR	<input type="checkbox"/> Painted exterior (specify color)	
INTERIOR COLOR	<input type="checkbox"/> Stainless steel interior	
REAR EXTERIOR COLOR	<input type="checkbox"/> Stainless steel	
BASE SUPPORT	<input type="checkbox"/> Casters w/ levelers	
BUMPER END	<input type="checkbox"/> None	<input type="checkbox"/> 1" bumper (black) (3 rows)
BUMPER FRONT	<input type="checkbox"/> 1" bumper (black)	
END PANELS	<input type="checkbox"/> Full	
LOWER FRONT PANEL	<input type="checkbox"/> Publix matte black	
UPPER FRONT	<input type="checkbox"/> Open reach-in front	
UPPER FRONT PANEL	<input type="checkbox"/> Laminated (Carbon Mesh)	<input type="checkbox"/> Laminated (Xanadu)
UPPER REAR	<input type="checkbox"/> Solid rear swinging doors	
LOWER DISPLAY	<input type="checkbox"/> Solid shelf, lighted	
LIGHTS	<input type="checkbox"/> LED top & shelf lights	
ELECTRICAL CONNECT	<input type="checkbox"/> 6' Power cord	
FAN MOTORS	<input type="checkbox"/> Energy efficient evaporator fans	
REFRIGERATION	<input type="checkbox"/> Breeze w/EnergyWise s/c refrigeration	

Applications

- Refrigerated/Heated self-service grab & go merchandiser for packaged products.
- Built-in or In-line use.

OEO Side By Side Combo Refrigerated/Heated Self-Service Wall Case w/ Rear Doors

Model	L x D x H (Lengths include end panels)
B3924RHRD.7713	39-1/8"L x 28-3/4"D x 62"H



IMPORTANT NOTES:

- 1) Performance issues (product temperatures, water on floor, etc.) caused by adverse conditions are not covered by warranty.
- 2) Keep unit at least 15' from exterior doors, overhead HVAC vents, or any air curtain disruption.
- 3) Do not expose unit to direct sunlight or any heat source (ovens, fryers, etc.).
- 4) Keep at least 8" of clearance above unit for air discharge (self-contained only).
- 5) Compressor air front intake, rear discharge.

WARNING

This product can expose you to chemicals including Urethane (Ethyl Carbamate), which are known to the State of California to cause cancer and birth defects or other reproductive harm. For more information go to www.P65Warnings.ca.gov.

INTENDED ENVIRONMENT

Designed to operate in ambient conditions of 75°F with 55% relative humidity.

WARMEST AVG PRODUCT TEMP

Zone	Temp (°F)
1	38
2	160

INTENDED USE OF DISPLAY AREAS

Zone	Intended Use
1	Packaged refrigerated products
2	Packaged heated product

For more information on any of our products or services please visit us on the web at:

www.structuralconcepts.com

INFORMATION IS SUBJECT TO CHANGE WITHOUT NOTICE. Visit www.structuralconcepts.com for the most current specs.



OEO - Side By Side Combo Refrigerated/Heated Self-Service Wall Case w/ Rear Doors

DIMENSIONS / SHIPPING				
Model	L"	L1"	L2"	Est Wt (lbs)
B3924RHRD.7713	N/A	39.125	0.000	N/A

ELECTRICAL															
Model	System Circuit Volts			Ph	Frq	Rated Load Amps	Min Cir Amps	Max OCP Amps	Watts	Wires	NEMA Plug	Amps Lights	Amps Fans	Amps Anti-Sweats	Amps Misc/Refrig/Heat
B3924RHRD.7713	Self-Contained	Circuit #1	110-120	1	60	20.69	30	30	1,792	2+G	5-30P or L5-30P	1.40	0.90	4.05	14.34

REFRIGERATION														
Model	Zone	Section	System	Envt	REMOTE REFRIGERATION					GLYCOL / R744 REFRIGERATION				
					SST (°F)	Conv. Rack BTUH	Para. Rack BTUH	Defrost Interval (Hrs)	Defrost Duration (Mins)	Total GPM	Pressure Drop (psi)	Concent (%)	Liquid Temp (°F)	
B3924RHRD.7713	All	Main	Self-Contained-N/A	Type I	N/A	N/A	N/A	N/A	N/A	N/A	N/A	N/A	N/A	N/A

INTENDED ENVIRONMENT		
WARMEST AVERAGE PRODUCT TEMP & INTENDED USE OF ZONES		
Zone	Temp (°F)	Intended Use
1	38	Packaged refrigerated products
2	160	Packaged heated product

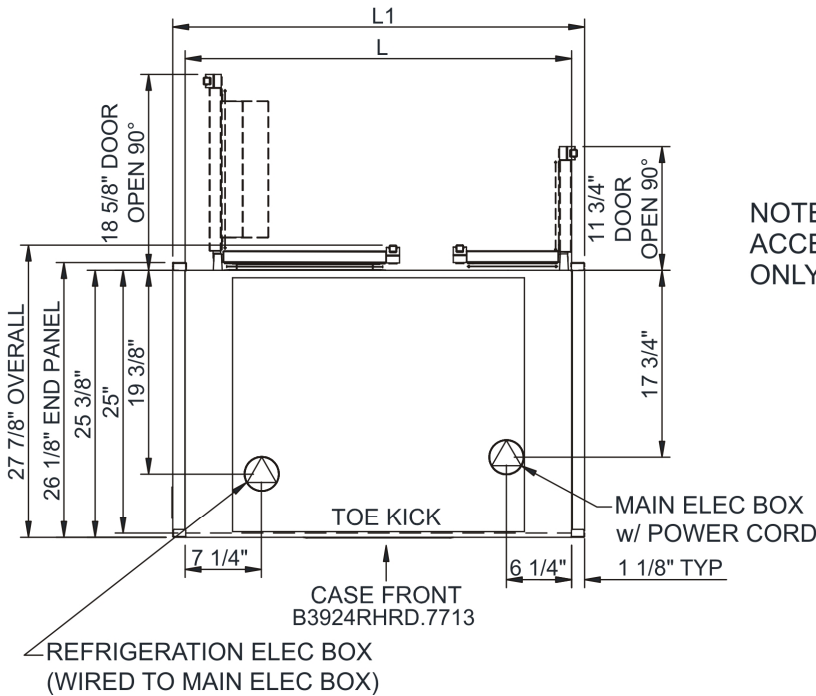
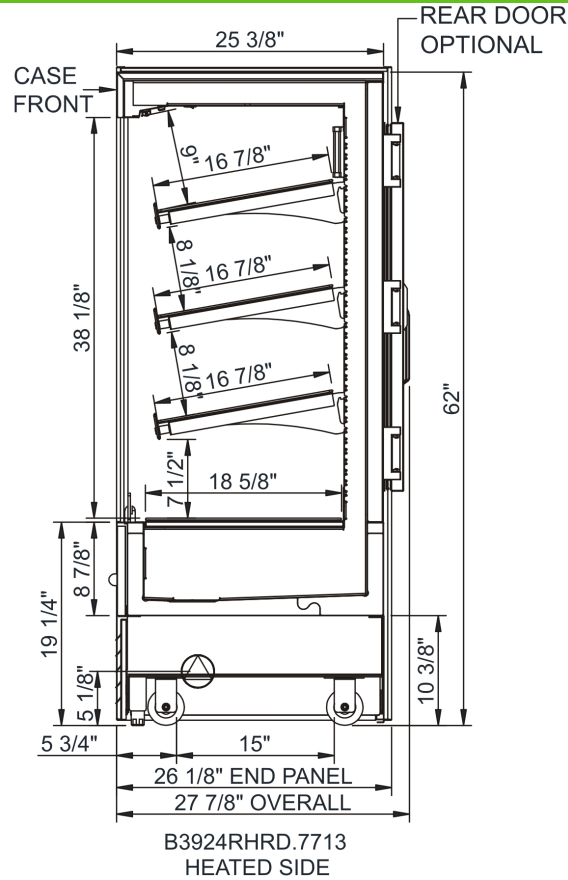
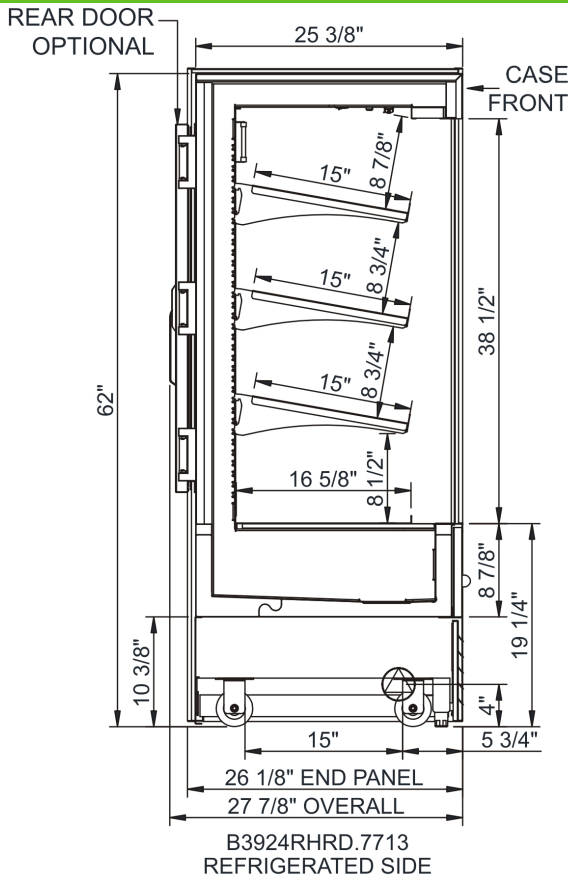
- IMPORTANT NOTES**
- 1) Performance issues (product temperatures, water on floor, etc.) caused by adverse conditions are not covered by warranty.
 - 2) Keep unit at least 15' from exterior doors, overhead HVAC vents, or any air curtain disruption.
 - 3) Do not expose unit to direct sunlight or any heat source (ovens, fryers, etc.).
 - 4) Keep at least 8" of clearance above unit for air discharge (self-contained only).
 - 5) Compressor air front intake, rear discharge.

REGULATORY	
All Models	Accordance with AHRI Std 1200 ETL Listed to UL 197 & UL 471 ETL Listed to CAN/CSA 22.2 No. 109 & 12 ETL Sanitation to NSF 4 & 7



In Accordance with
AHRI Std 1200

OEO - Side By Side Combo Refrigerated/Heated Self-Service Wall Case w/ Rear Doors



NOTE:
ACCESS TO REFRIGERATION CONNECTIONS
ONLY BY PULLING OUT COMPRESSOR DRAWER.

NOTE: ALL DIMENSIONS APPROXIMATE

-  ELECTRICAL JUNCTION BOX (SUPPLIED WITH 6" LEADS OR POWER CORD).
-  REFRIGERATION LINE CONNECTION.
-  SELF-CONTAINED CASE SERVICE ACCESS AREA.
-  LOCATION OF DRAIN TUBE FOR REMOTE REF. ONLY (SUPPLIED WITH 3/4" OR 1 1/2" PVC TUBE).
-  REMOTE FLOOR SINK & UTILITIES ACCESS AREA.
-  DRY CASE SERVICE ACCESS AREA.