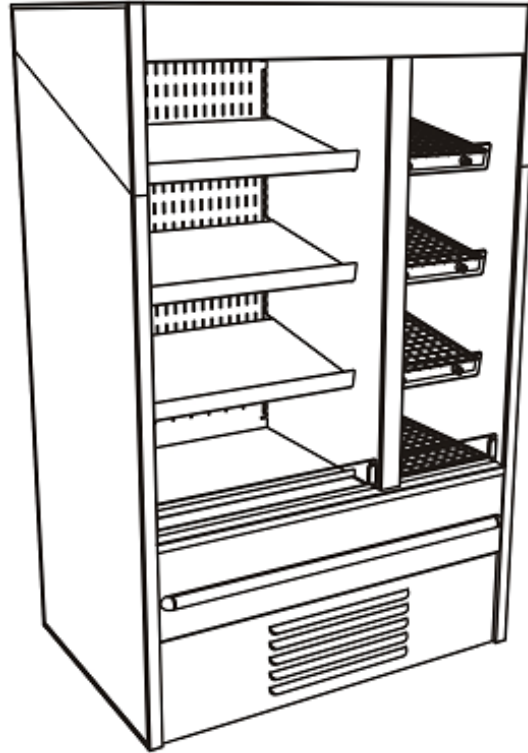


# OEO - Side By Side Combo Refrigerated/Heated Self-Service Wall Case

## Models

B3924RH.7713



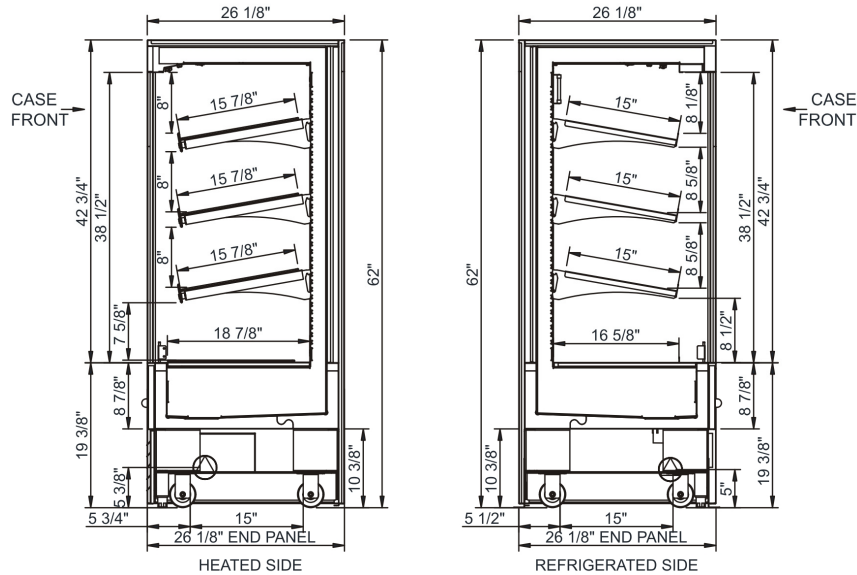
| Features                   | Standard  | Options   |
|----------------------------|---|---|
| <b>EXTERIOR COLOR</b>      | <input type="checkbox"/> Painted exterior (specify color)       |   |
| <b>INTERIOR COLOR</b>      | <input type="checkbox"/> Stainless steel interior               |   |
| <b>REAR EXTERIOR COLOR</b> | <input type="checkbox"/> Stainless steel                        |   |
| <b>BASE SUPPORT</b>        | <input type="checkbox"/> Casters w/ levelers                    |   |
| <b>BUMPER END</b>          | <input type="checkbox"/> None                                   | <input type="checkbox"/> 1" bumper (black) (3 rows) |
| <b>BUMPER FRONT</b>        | <input type="checkbox"/> 1" bumper (black)                      |   |
| <b>END PANELS</b>          | <input type="checkbox"/> Full                                   |   |
| <b>LOWER FRONT PANEL</b>   | <input type="checkbox"/> Publix matte black                     |   |
| <b>UPPER FRONT</b>         | <input type="checkbox"/> Open reach-in front                    |   |
| <b>UPPER FRONT PANEL</b>   | <input type="checkbox"/> Laminated (Carbon Mesh)                | <input type="checkbox"/> Laminated (Xanadu)         |
| <b>UPPER REAR</b>          | <input type="checkbox"/> Solid back panel                       |   |
| <b>LOWER DISPLAY</b>       | <input type="checkbox"/> Solid shelf, lighted                   |   |
| <b>LIGHTS</b>              | <input type="checkbox"/> LED top & shelf lights                 |   |
| <b>ELECTRICAL CONNECT</b>  | <input type="checkbox"/> 6' power cord                          |   |
| <b>FAN MOTORS</b>          | <input type="checkbox"/> Energy efficient evaporator fans       |   |
| <b>REFRIGERATION</b>       | <input type="checkbox"/> Breeze™ w/EnergyWise s/c refrigeration |   |

## Applications

- Refrigerated/Heated self-service grab & go merchandiser for packaged products.
- Built-in or In-line use.

# OEO Side By Side Combo Refrigerated/Heated Self-Service Wall Case

| Model        | L x D x H<br>(Lengths include end panels) |
|--------------|---|
| B3924RH.7713 | 39-1/8" L x 26-1/8" D x 62" H             |



## IMPORTANT NOTES:

- 1) Performance issues (product temperatures, water on floor, etc.) caused by adverse conditions are not covered by warranty.
- 2) Keep unit at least 15' from exterior doors, overhead HVAC vents, or any air curtain disruption.
- 3) Do not expose unit to direct sunlight or any heat source (ovens, fryers, etc.).
- 4) Keep at least 8" of clearance above unit for air discharge (self-contained only).
- 5) Compressor air front intake, rear discharge.

## WARNING:

This product can expose you to chemicals, including Urethane (Ethyl Carbamate), which are known to the state of California to cause cancer and birth defects or other reproductive harm. For more information go to [www.P65Warnings.ca.gov](http://www.P65Warnings.ca.gov).

## INTENDED ENVIRONMENT

Designed to operate in ambient conditions of 75°F with 55% relative humidity.

## WARMEST AVG PRODUCT TEMP

| Zone | Temp (°F) |
|------|-----------|
| 1    | 38        |
| 2    | 160       |

## INTENDED USE OF DISPLAY AREAS

| Zone | Intended Use                   |
|------|--------------------------------|
| 1    | Packaged refrigerated products |
| 2    | Packaged heated product        |

For more information on any of our products or services please visit us on the web at:

[www.structuralconcepts.com](http://www.structuralconcepts.com)

INFORMATION IS SUBJECT TO CHANGE WITHOUT NOTICE. Visit [www.structuralconcepts.com](http://www.structuralconcepts.com) for the most current specs.



888 E. Porter Rd. Muskegon, MI 49441

231-798-8888

Revised 10/18/2019



## OEO - Side By Side Combo Refrigerated/Heated Self-Service Wall Case

| DIMENSIONS / SHIPPING |     |        |       |              |
|-----------------------|-----|--------|-------|--------------|
| Model                 | L"  | L1"    | L2"   | Est Wt (lbs) |
| B3924RH.7713          | N/A | 39.125 | 0.000 | 1,000        |

| ELECTRICAL   |                      |            |         |    |     |                 |              |              |       |       |                 |             |           |                  |                       |
|--------------|----------------------|------------|---------|----|-----|-----------------|--------------|--------------|-------|-------|-----------------|-------------|-----------|------------------|-----------------------|
| Model        | System Circuit Volts |            |         | Ph | Frq | Rated Load Amps | Min Cir Amps | Max OCP Amps | Watts | Wires | NEMA Plug       | Amps Lights | Amps Fans | Amps Anti-Sweats | Amps Misc/Refrig/Heat |
| B3924RH.7713 | Self-Contained       | Circuit #1 | 110-120 | 1  | 60  | 20.69           | 30           | 30           | 1,792 | 2+G   | 5-30P or L5-30P | 1.40        | 0.90      | 4.05             | 14.34                 |

| REFRIGERATION |      |         |                    |        |                      |                 |                 |                        |                         |                             |                     |             |                  |     |     |
|---------------|------|---------|--------------------|--------|----------------------|-----------------|-----------------|------------------------|-------------------------|-----------------------------|---------------------|-------------|------------------|-----|-----|
| Model         | Zone | Section | System             | Envt   | REMOTE REFRIGERATION |                 |                 |                        |                         | GLYCOL / R744 REFRIGERATION |                     |             |                  |     |     |
|               |      |         |                    |        | SST (°F)             | Conv. Rack BTUH | Para. Rack BTUH | Defrost Interval (Hrs) | Defrost Duration (Mins) | Total GPM                   | Pressure Drop (psi) | Concent (%) | Liquid Temp (°F) |     |     |
| B3924RH.7713  | All  | Main    | Self-Contained-N/A | Type I | N/A                  | N/A             | N/A             | N/A                    | N/A                     | N/A                         | N/A                 | N/A         | N/A              | N/A | N/A |

| INTENDED ENVIRONMENT   |           |                                |
|--|-----------|--------------------------------|
| Type I - Designed to operate in ambient conditions of 75°F with 55% relative humidity unless noted otherwise under Envt above. |           |                                |
| WARMEST AVERAGE PRODUCT TEMP & INTENDED USE OF ZONES   |           |                                |
| Zone   | Temp (°F) | Intended Use                   |
| 1  | 38        | Packaged refrigerated products |
| 2  | 160       | Packaged heated product        |

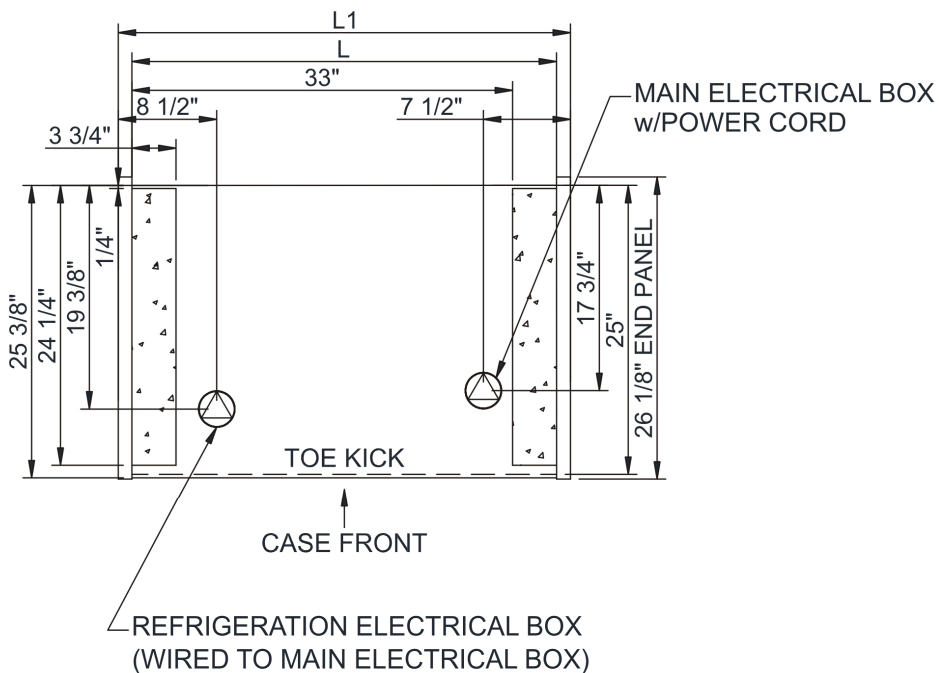
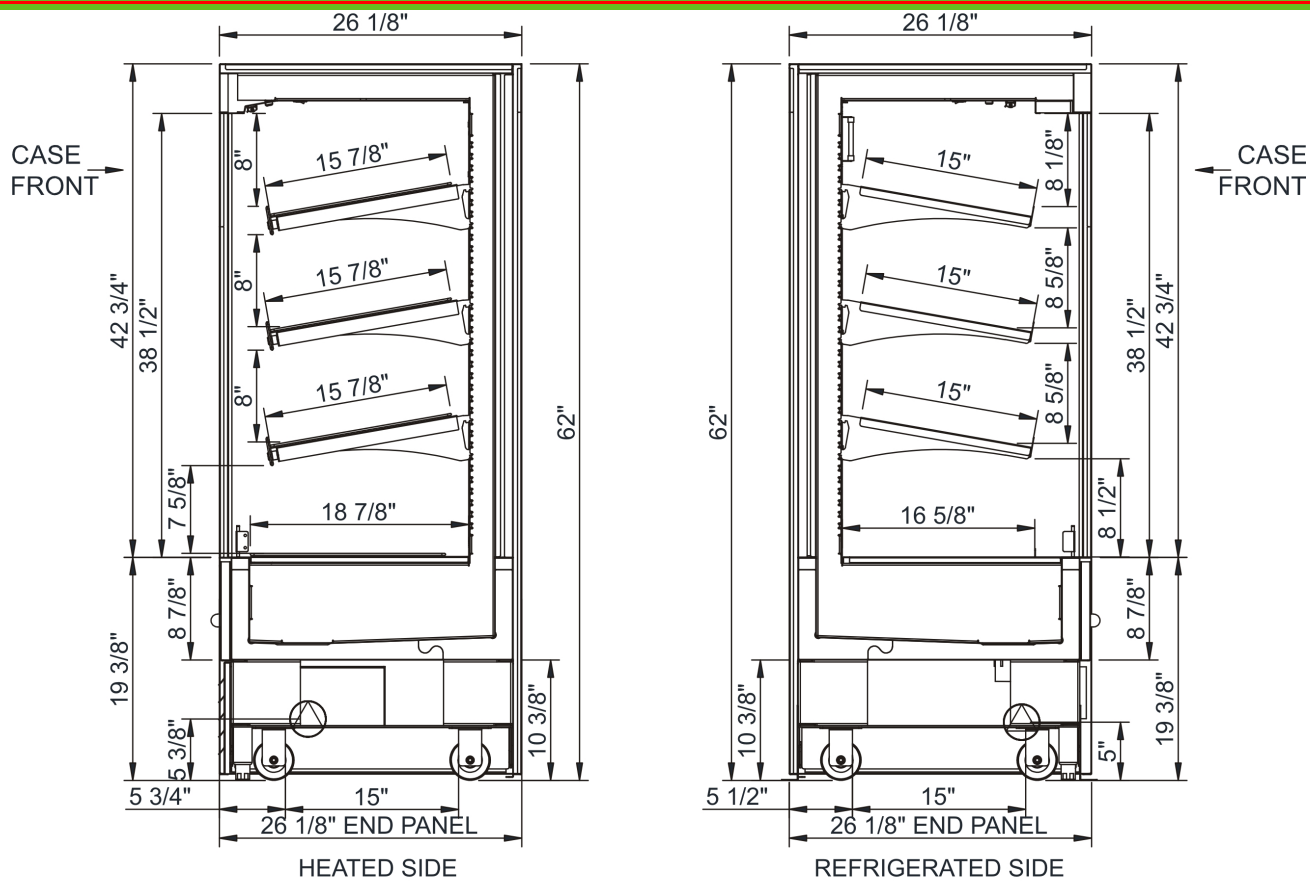
| IMPORTANT NOTES  |
|--|
| 1) Performance issues (product temperatures, water on floor, etc.) caused by adverse conditions are not covered by warranty. |
| 2) Keep unit at least 15' from exterior doors, overhead HVAC vents, or any air curtain disruption.                           |
| 3) Do not expose unit to direct sunlight or any heat source (ovens, fryers, etc.).   |
| 4) Keep at least 8" of clearance above unit for air discharge (self-contained only).   |
| 5) Compressor air front intake, rear discharge.  |

| REGULATORY |  |
|------------|--|
| All Models | Accordance with AHRI Std 1200<br>ETL Listed to UL 471<br>ETL Listed to CAN/CSA 22.2 No. 120<br>ETL Sanitation to NSF 7 |



In Accordance with  
**AHRI Std 1200**

## OEO - Side By Side Combo Refrigerated/Heated Self-Service Wall Case



NOTE: ALL DIMENSIONS APPROXIMATE

- ⊗ ELECTRICAL JUNCTION BOX (SUPPLIED WITH 6" LEADS OR POWER CORD).
- ⊙ LOCATION OF DRAIN TUBE FOR REMOTE REF. ONLY (SUPPLIED WITH 3/4" OR 1 1/2" PVC TUBE).
- ⊕ REFRIGERATION LINE CONNECTION.
- ⊞ REMOTE FLOOR SINK & UTILITIES ACCESS AREA.
- ▨ SELF-CONTAINED CASE SERVICE ACCESS AREA.
- ▩ DRY CASE SERVICE ACCESS AREA.