

Front Facing - Heated Self-Service Case - Portico Teak - Bakery Of The Future

Models

B3054H.7981



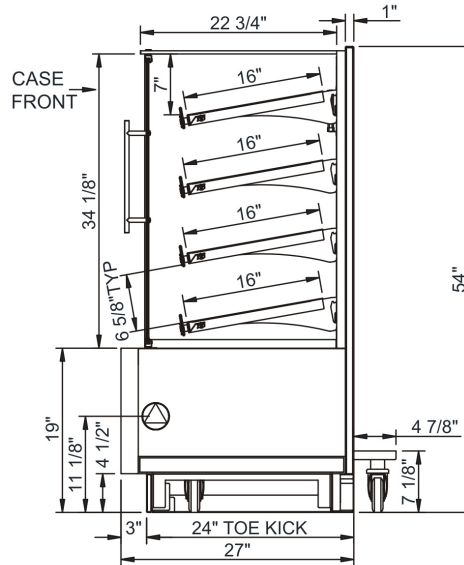
Features	Standard	Options
EXTERIOR COLOR	<input type="checkbox"/> Laminated (Portico Teak)	
EXTRUSION COLOR	<input type="checkbox"/> Black	
INTERIOR COLOR	<input type="checkbox"/> Stainless steel	
BASE	<input type="checkbox"/> Straight base w/ heated controller access door	
DECK	<input type="checkbox"/> Painted (Traffic Gray Textured)	
END PANELS	<input type="checkbox"/> Laminated (Portico Teak)	
FRONT DOORS	<input type="checkbox"/> Clear glass swinging doors w/o lock	
LOWER REAR	<input type="checkbox"/> Open	
UPPER REAR	<input type="checkbox"/> Solid back panel w/stainless mirror	
SHELVING	<input type="checkbox"/> Solid heated shelves, lighted	
LIGHTS	<input type="checkbox"/> LED 3500K w/ frosted lens	
ELECTRICAL ACCESS	<input type="checkbox"/> Front electrical access	

Applications

- Upright heated self-service merchandiser for pastry items

Front Facing Heated Self-Service Case - Portico Teak - Bakery Of The Future

Model	L x D x H (Lengths include end panels)
B3054H.7981	29-1/2"L x 27"D x 54"H



IMPORTANT NOTES:

1) 2) Units are supplied with levelers which must be adjusted during installation to ensure the unit is level and plumb.

WARNING

This product can expose you to chemicals including Urethane (Ethyl Carbamate), which are known to the State of California to cause cancer and birth defects or other reproductive harm. For more information go to www.P65Warnings.ca.gov.

INTENDED ENVIRONMENT

Designed to operate in ambient conditions of 75°F with 55% relative humidity.

WARMEST AVG PRODUCT TEMP

Zone	Temp (°F)
1	160

INTENDED USE OF DISPLAY AREAS

Zone	Intended Use
1	Packaged heated product